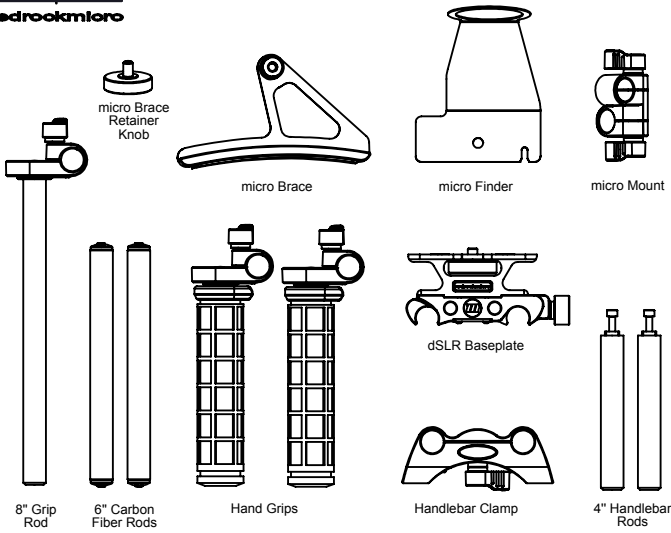
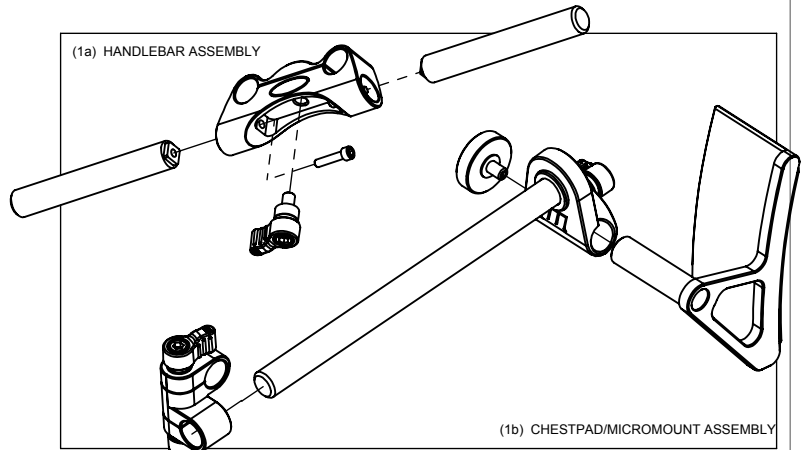




CAST REQUIRED:



(1a) HANDLEBAR ASSEMBLY

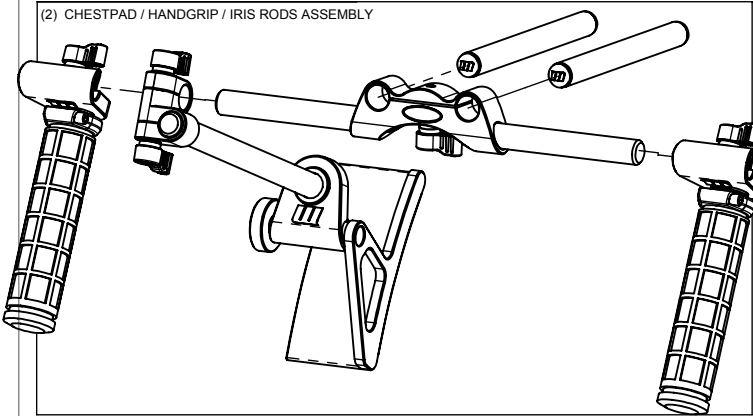


(1b) CHESTPAD/MICROMOUNT ASSEMBLY

① Steps needed for Handlebar / Chest Pad Assembly

- 1a: Use screws to attach 4" rods to handlebar clamp. Attach blue knob.
- 1b: Attach microBrace and microMount to 8" rod.

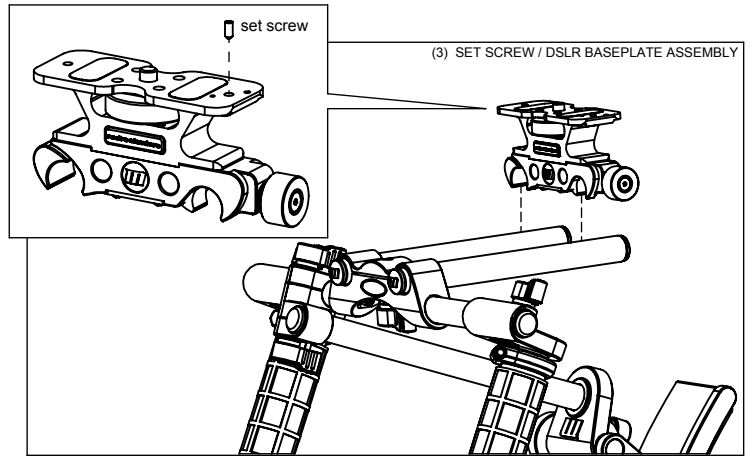
(2) CHESTPAD / HANDGRIP / IRIS RODS ASSEMBLY



② Steps needed for microBrace / HandGrip / Iris Rod Assembly

- 2a: Insert 6" rods into handlebar clamp.
- 2b: Slide chestpad assembly into 4" handlebar clamp.
- 3c: Attach handgrips to the handlebar rods.

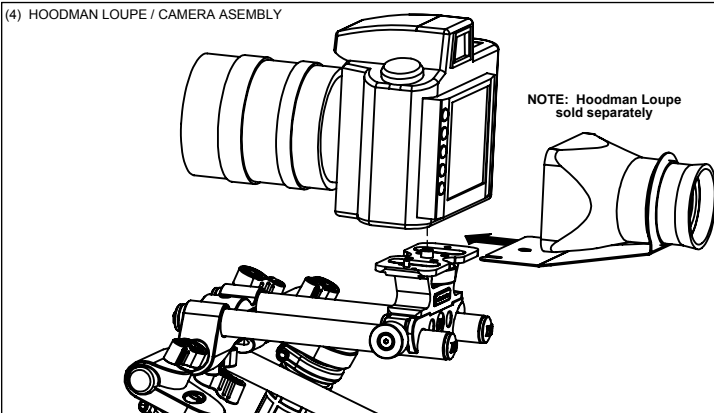
(3) SET SCREW / DSLR BASEPLATE ASSEMBLY



③ Steps needed for the Set Screw / dSLR Baseplate Assembly

- 3a: Attach appropriate set screw for camera to baseplate
- 3b: Attach dSLR baseplate to the 6" rods

(4) HOODMAN LOUPE / CAMERA ASSEMBLY



④ Steps needed for Hoodman Loupe / Camera Assembly

- 4a: Assemble Hoodman Loupe accessory (see setup guide for hoodman assembly)
  - 4b: Attach camera to microFinder / dSLR baseplate.
- HELPPFUL HINT: loosely attach camera to baseplate screw before sliding microFinder into place. once microFinder is in place, tighten screw on dSLR baseplate

⑤ ASSEMBLY COMPLETED!

NOW GO SHOOT!

